

Monsters In The Closet

Cut the Fabrics

15 - 'Fussy cut' 11 1/4" x 11 1/4" squares from Monsters panel. The black outlines on the panel are not quite square, so don't worry if the critter is not quite centered in the 11" square... the blocks are catty wompas anyway. Cut 3/4" from the top and bottom of the black square, 7/8" from the right and left to get 11".

4 - 3 7/8" x 10 1/2" each of at least 4 coordinate colors for Block A. Alternatively, you may use as many different colors as you like. You will need a total of 16 rectangles.

4 - 3 7/8" x 10 1/2" each of at least 4 coordinate colors for Block B. Alternatively, you may use as many colors as you like. You will need a total of 14 rectangles.

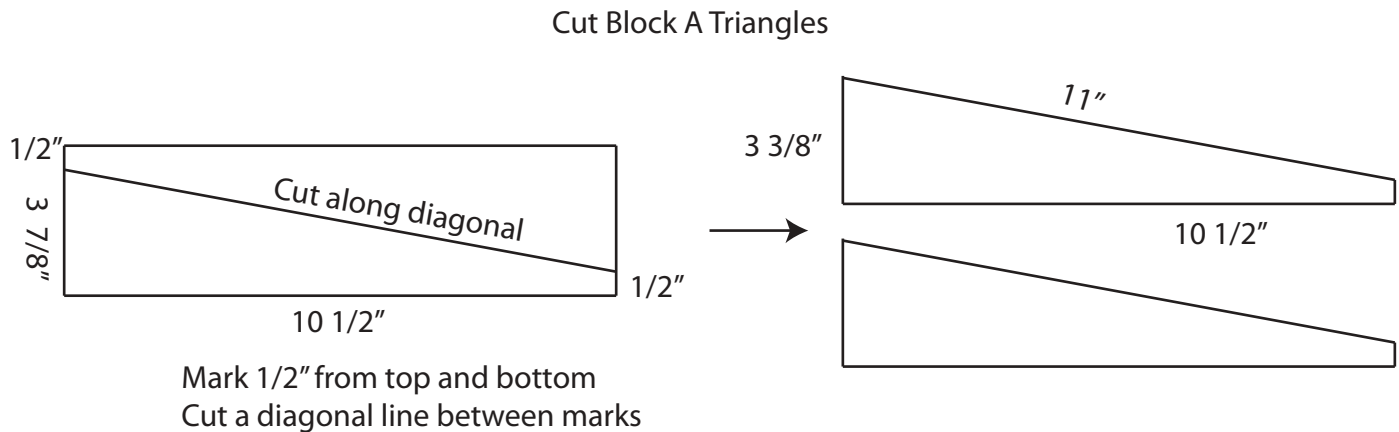
10 - 1 1/2" x 13 1/4" sashing strips.

4 - 1 1/2" x 40" sashing strips.

Fabrics are sewn right sides together, seams are 1/4".

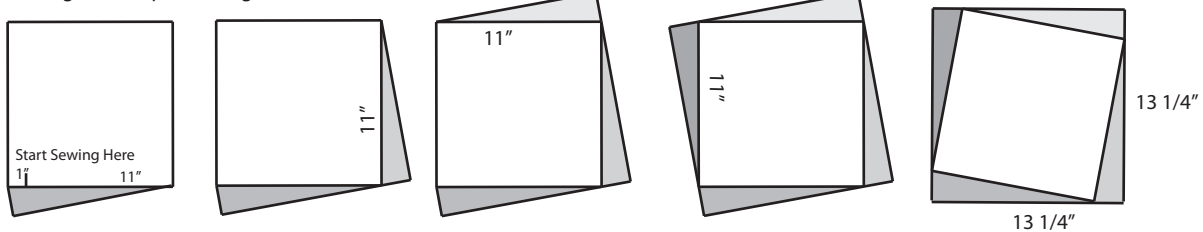
Block A

- Mark block 1/2" from at top left and bottom right as shown
- Cut all block **'A'** 3 7/8" x 11" coordinate rectangles on the diagonal as shown . You will need 32 pieces total.



- Sew triangles onto monster blocks as shown below. Start sewing about 1" from corner. Sew all sides, then overlap the final seam with the beginning block. Sew the 1" that was left unsewn. Note - the square corner always points out. Fabrics are sewn right sides together then pressed out (see diagram). Sew 8 blocks Sides should measure 13 1/4".

Note - Seam allowances not shown
Diagrams for positioning

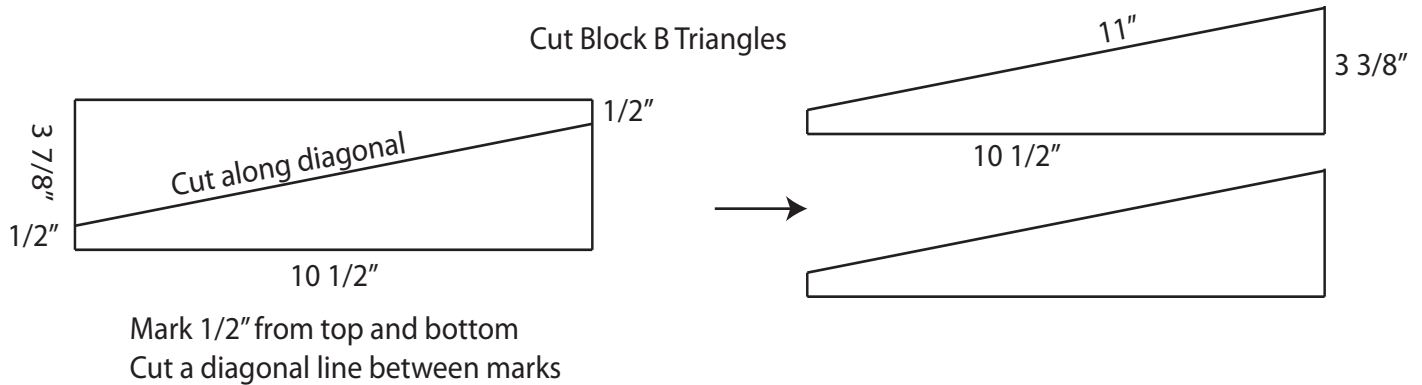


Rotate block. Sides should measure 13 1/4"

Monsters In The Closet - cont.

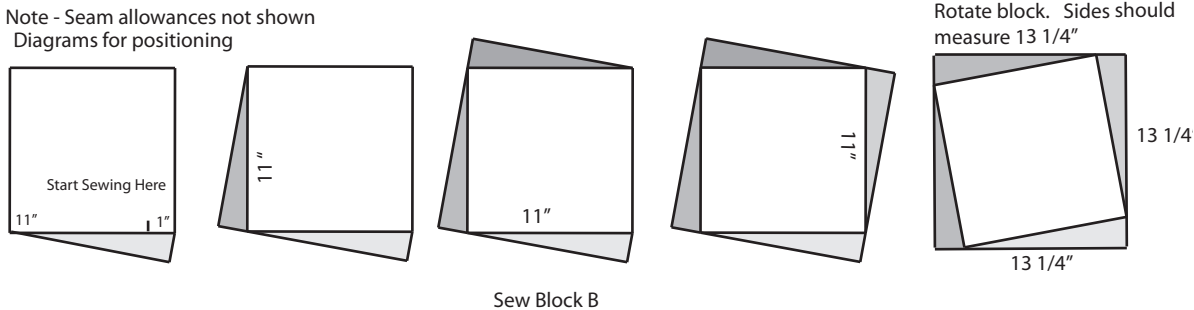
Block B

- Mark 1/2" from right bottom and left top as shown.
- Cut all 'B' 3 7/8" x 10 1/2" coordinate rectangles on diagonal as shown. You will need 28 pieces.



- Sew triangles onto monster blocks as shown below. Start sewing about 1" from corner. Sew all sides, then overlap the final seam with the beginning block. Sew the 1" that was left unsewn. Note - the square corner always points out. Fabrics are sewn right sides together then pressed out (see diagram). Sew 7 blocks Square up to 13 1/4".

Note - Seam allowances not shown
Diagrams for positioning



- Sew blocks into rows with a 1 1/2" x 13 1/4" sashing strip between each block. Alternate blocks A and B (see quilt diagram).

Sew Borders and Corner Blocks

- Cut 6 inside border strips (same fabric as sashing) 1 1/2" x width of fabric.
- Cut 9 outside border strips (black) 2 1/2" x width of fabric.
- Cut 4 - 10 1/4" x 10 1/4" corner blocks.
- Measure width of quilt across center .
- Cut 2 inside border strips to this length. Sew to top and bottom of quilt.
- Measure length of quilt down center .
- Sew 2 inside border strips end to end. Cut to this length. Sew two sets.
- Cut these strips to the measured length.
- Sew to sides of quilt.
- Measure width of quilt across center .
- Cut 2 - 10 1/4" x measured length of the border stripe fabric. The Monsters fabric stripe measures 10 1/4" from the triangle row to the monster skin row (small ovals).
- Sew to top and bottom of quilt.

Monsters In The Closet - cont.

- Cut 2 - 10 1/4" x measured length of the border stripe fabric. The Monsters fabric stripe measures 10 1/4" from the triangle row to the monster skin row (small ovals).
- Sew 10 1/4" corner blocks to the ends of these strips.
- Sew to sides of quilt. Appliques are added in a later step.

- Measure width of quilt across center.
- Sew 2 outside border strips end to end. Cut to this length. Sew two sets.
- Cut these strips to the measured length.
- Sew to top and bottom of quilt.

- Measure length of quilt down center.
- Sew 2 1/2" outside border strips end to end. Cut to this length. Sew two sets.
- Cut these strips to the measured length.
- Sew to sides of quilt.

Corner Appliques (optional)

- Cut 4 blocks from panel.
- Iron fusible webbing to fabric according to manufacturers directions.
- Cut out character.
- Position on corners blocks at an angle (see picture). Iron in place.
- Sew around using a small satin stitch.

Finish the Quilt

- Cut 9 - 2 1/4" x width of binding fabric.
- Backing fabric should measure around 100" x 72". Sew two backing pieces together, if needed, then trim to this.
- Layer quilt top, backing and batting to form a sandwich. Right side of quilt top and backing are both facing out, with the batting between these two.
- Quilt as desired. Trim excess backing.
- Bind quilt.

NOTE - SEE WEBSITE - www.wpcreek.com/monsters
FOR ALTERNATE COLOR LAYOUT

Quilt Layout

